



Department of Engineering and Aviation Sciences

Senior Design Project Final Presentations

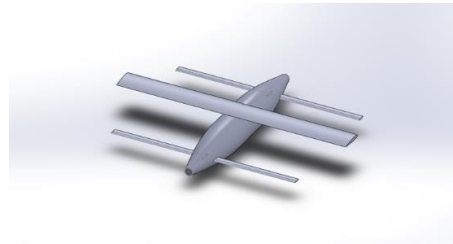
Spring 2017

(Aerospace/Mechanical Engineering Specializations Session)

Monday, May 15th, 4 pm-7pm, Room 1064, EASC Building

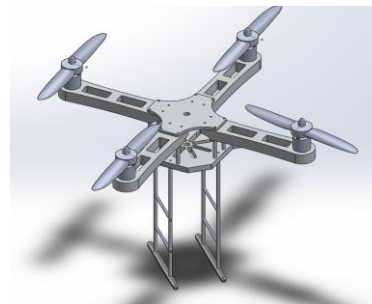
Senior Design Project II:

1-Design of a 3D-Printable Fixed-Wing Unmanned Aerial Vehicle (UAV) with Vertical Takeoff and Landing Capabilities; **Christian Walston & Ayokunle Akangbe**



Senior Design Projects I:

1-Design of a Quadcopter for Payload Delivery Applications; **Nicholas Brobst & Dave Henderson**



2-Design of an Adjustable Quadcopter for Security Applications; **Tewodros Mamo**

